



常州市创联电源科技股份有限公司

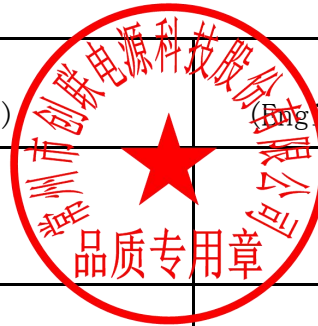
Changzhou Chuanglian Power Supply Technology Corporation

承认书

CERTIFICATE FOR CONFIRMATION

客户名称 (CUSTOMER) : _____
客户料号 (PART NO.) : _____
产品名称 (PART NAME) : Power Supply
产品规格 (DESCRIPTION) : A-300FAY Series
编制日期 (DATE) : _____

制定 (Engineer)	审核 (Supervisor)	核准 (Engineer Manager)
黄健	陈苏华	刘勇
承认 (Engineer)	审核 (Supervisor)	核准 (Engineer Manager)



注:此承认书一式二份,请签核完后寄回我司一份保存。

Remark:This certification is in duplicate,please send us a copy signing.

厂商:常州市创联电源科技股份有限公司

Mfr. Changzhou Chuanglian Power Supply
Technology Corporation

地址:江苏省常州市钟楼经济开发区童子河西路8号

Address:No. 8, Tongzihe West Road, Bell Tower
Economic Development Zone, Changzhou, Jiangsu
213024, China

电话:86-519-85215050, 85210525

Tel:86-519-85215050, 85210525

传真:86-519-85215252, 85215770

Fax:86-519-85215252, 85215770

网址:www.cl-power.com

Http:www.cl-power.com

邮箱:cls@cl-power.com

E-mail:cls@cl-power.com

编号:



A-300FAY Series Power Supply



◆ Specification

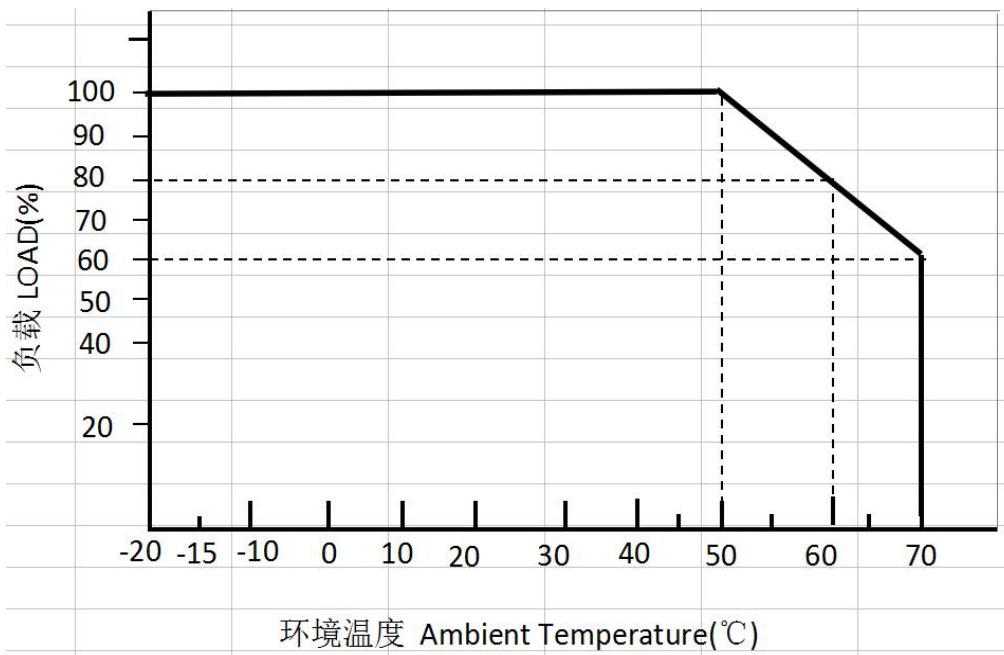
- high reliability
- Fixed switching frequency 100KHz
- 100% full load aging test
- Protections: Short circuit/Over load
- 2 years warranty

Specification

Model		A-300FAY-4.5	A-300FAY-5			
Output	DC voltage	4.5V	5V			
	Rated current	60A	60A			
	Current range	0~60A	0~60A			
	Rated power	270W	300W			
	Ripple & Noise	200mVp-p	200mVp-p			
	Load regulation range	3.6~4.4V	4.05~4.95V			
	Voltage accuracy	±2.0%	±2.0%			
	Line adj rate	±0.5%	±0.5%			
	Load adj rate	±2%	±2%			
	Rise	3000ms, 50ms/230VAC 100%Loading				
Hold up time (Typ)	20ms/230VAC 100%Loading					
Input	Voltage range	180~264VAC				
	Frequency range	47~63HZ				
	PFC (Typ)	PF≥0.5				
	Efficiency (Typ)	≥88%		≥88%		
	Alternating	115VAC	/	/		
		230VAC	2.7A	2.7A		
Inrush current (Typ)	60A/230VAC					
Leakage current	<1mA/230VAC					
Protection	Over load	110~150% rated				
	Short circuit	Shut off, Auto-recovery				
	Over temp.	/				
Environment	Working temp.	-20℃~+50℃ (AC 230V) (Refer to temperature derating curve)				
	Working humidity	20~90%RH no condensing				
	Storage Temp.	-30~+85℃				
	Storage humidity	10~95%RH no condensing				
	Temp. coefficient	±0.03%/℃ (0~50℃)				
Vibration resistance	10~500Hz, 2G, 10min/cycle, X、Y、Z 60min in each direction					
Safety and EMC	Safety Standards	设计参考GB4943-2001, UL1012				
	Withstand voltage	I/P-O/P: 1.8KVAC I/P-FG: 1.5KVAC O/P-FG: 0.5KVAC				
	Isolation resistance	I/P-O/P、I/P-FG、O/P-FG: 大于50MΩ/500VDC/25℃/70%RH				
	EMC	Design refer to GB9254 EN55022, Class A				
	Harmonic Current	Design refer to GB17625.1;EN61000-3-2, -3				
EMS	Design refer to EN55024 ;EN61000-4-2, 3, 4, 5, 6, 8, 11					
Others	Lifetime	100,000 hours (25℃)				
	Size	212×81.5×31.2 (L*W*H)				
	Packing	0.55Kg/piece, 20pcs/carton				
Remarks	<p>*In order to extend the service life, it is recommended to leave 30% more allowance when loading. For example, if the equipment needs 100W power, please choose the power supply over 130W.</p> <p>*Ripple & noise are measured at 20MHz of bandwidth by using a 12" twisted pair-wire terminated with a 0.1μf & 47μf parallel capacitor.</p>					



Load temperature derating curve

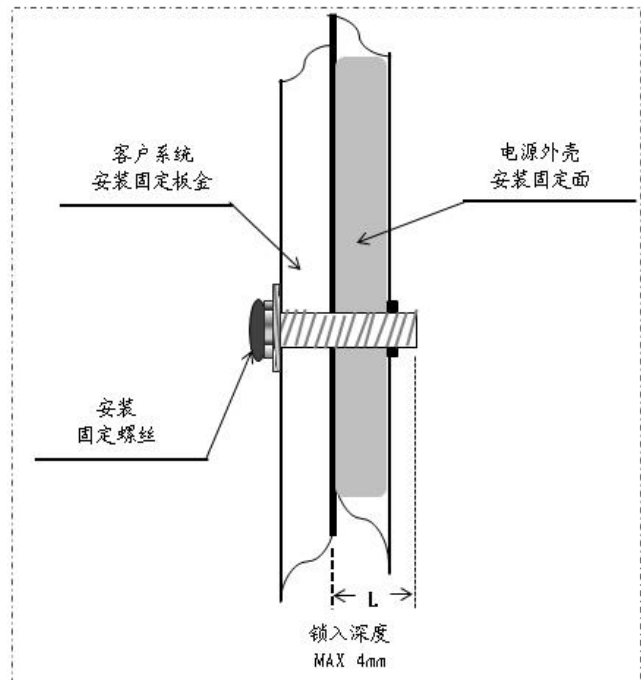


Installation

警示

Warning

- 使用安装螺丝M3*6mm,
Using the mounting screws M3*6mm
- 深入外壳螺丝深度MAX 4mm,
Deep housing screw depth Max 3mm
- 详见右图
As shown on the right





Installation drawing

